

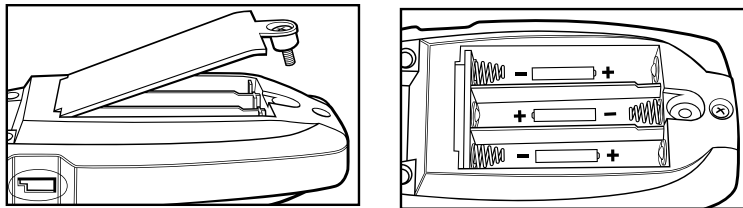


## QUICK START

Congratulations on your purchase of the Intel® Play™ Computer Sound Morpher. Please follow the instructions below to install your Computer Sound Morpher and software.

### Battery Installation:

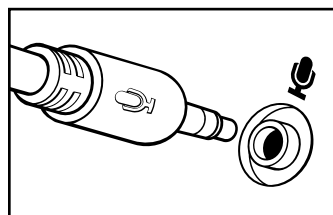
Your Computer Sound Morpher requires three "AAA" batteries, which are not included. Before you begin installation, please install the batteries in the battery compartment, located on the back of the Computer Sound Morpher, as follows:



### Connect the Computer Sound Morpher to the computer:

Plug the microphone labeled end of the Computer Sound Morpher's connecting cable into the **Mic-In** port on your computer. The location of this port differs, depending on the type of computer you own. Common **Mic-In** icons are seen illustrated below.

**PLEASE NOTE: The Computer Sound Morpher needs to be connected to the computer to successfully complete the software install.** You will not be able to download recorded sounds or make live recordings, unless you have plugged in the connecting cable to both the Computer Sound Morpher and the computer. When you are using your Computer Sound Morpher away from the computer, be sure to disconnect the download cable from the Computer Sound Morpher.



THIS IS NOT A USB DEVICE.

The cable connects to your computer through the microphone-in jack.

### Install the software:

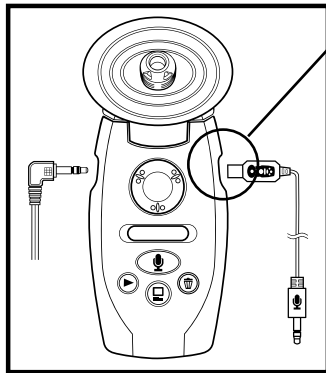
1. Place CD in your CD-ROM drive.
2. The program will automatically launch the installation program.
3. When you have read and accepted the License Agreement, click "Yes." The installation wizard will guide you through the installation process.

Now the software program will lead you through the installation process. It will verify that you have the microphone correctly in place and will verify audio support for your computer. After you have completed the software installation, restart your computer. Then, double click on the Computer Sound Morpher icon to launch the software.

## QUICK START

### Understanding the Computer Sound Morpher:

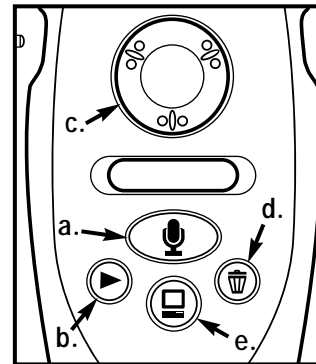
Connections:



The cable connection on this side of the Computer Sound Morpher has electrical pins that can be bent, making it difficult or impossible to connect the download cable to it. Use care when connecting the square end of the cable to the Computer Sound Morpher.

Control Panel:

- a. **Record:** Push and hold to record. Or push to start and push again to stop recording.
- b. **Playback:** Push to playback your most recent recording.
- c. **Volume Gain Adjust:** Turn clockwise to increase the playback volume, turn counterclockwise to decrease playback volume.
- d. **Trash:** Push once and hold for one second to delete most recent recording. Push and hold for at least three seconds to start deleting.
- e. **Download:** With the Computer Sound Morpher connected to the computer, push to download sounds into the computer. The **Download** button is not active until after you have completed your software installation.



### Reactivating your Computer Sound Morpher:

After 20 minutes of inactivity, the Computer Sound Morpher will go into a sleep mode (the LCD display will go blank). You can reactivate it by pushing any button once.

### Headphones:

You can use the headphones to hear your recorded sounds when you are away from your computer. Plug headphones into the input jack as shown on the above diagram.

### Belt Clip:

Carry your Computer Sound Morpher in its convenient belt clip.

### Microphone:

Your Computer Sound Morpher has a built-in microphone. For the best recording quality while connected to the computer, it is important to keep the unit steady and upright, and always with the microphone pointed away from the computer's speakers. Placing your Computer Sound Morpher too close to the computer's speakers will result in feedback, which is a high-pitched squealing noise.

### For additional information:

Refer to Introduction file that follows after the software installation is complete. Consult the F1 "On-Line Users Manual" to discover all the exciting Computer Sound Morpher features and how to use them. For technical support, please call 1 (916) 377-7000.

© 2000 Intel Corporation. **PRINTED IN CHINA.** All Rights Reserved.